

CRAFTster hand chain block

for loads from 250 up to 20,000 kg




CRAFTster

- **Optimum use of space**
Compact design and optimum approach dimensions, handy for transportation to site of operation
- **Flexible usage**
Wide range of applications, independent to power supply, heavy duty model as option, heavy load and explosion proof version available
- **High safety in operation**
Overload protection as standard (except 250 kg), robust industrial design
- **Gentle operation**
Low unit weight, chain nut with ball bearings as an option

Standard scope of delivery:

- Upper hook
- 3 m lifting height
- Galvanized chain
- Overload protection (except 250 kg)
- Epoxy powder coating, 70 µm
- Ambient temperature
-20°C bis +40°C

Options:

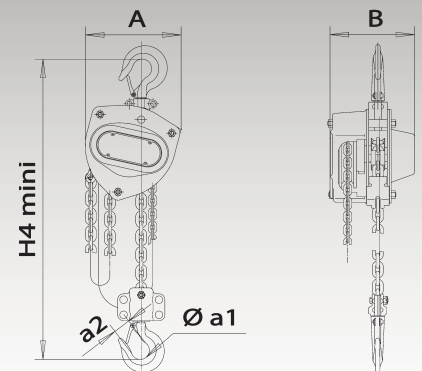
- Push trolley or chain driven trolley
- Stainless steel chain
- Lifting heights higher than 3 m
- Epoxy powder coating, 200 µm
- Heavy duty model also for outdoor use up to 5,000 kg
- Explosion proof version 
- Beam clamp up to 5,000 kg



Hand chain block for loads from 250 up to 20,000 kg.
Optimum use of space, high safety in operation and
wide range of applications.

CRAFTster

Load kg	Dimensions, mm					Chain mm	Max. force on hand chain, kg	Weight kg
	A	B	a1	a2	H4 mini			
250	121	114	31	21	280	4x12	25	6,2
500	148	132	35	23	345	5x15	35	11
1.000	172	151	40	27	376	6x18	25	12,5
1.500	196	173	45	33	442	7,1x21	35	17,8
2.000	210	175	50	35	470	8x24	35	19,5
3.000	255	205	55	39	548	10x28	40	35
5.000	280	189	65	45	688	9x27	36	41,3
7.500	433	189	47	67	688	9x27	38	62
10.000	463	189	75	57	765	9x97	38	78,5
12.500	430	220	75	54	835	9x97	38	110
16.000	718	200	95	71	900	9x97	39	135
20.000	840	200	106	85	950	9x97	39	192



CRAFTster MHS with chain driven trolley FKH with short headroom up to 20,000 kg



CRAFTster MHS with upper hook up to 20,000 kg



CRAFTsterGT MHH with upper hook up to 5,000 kg



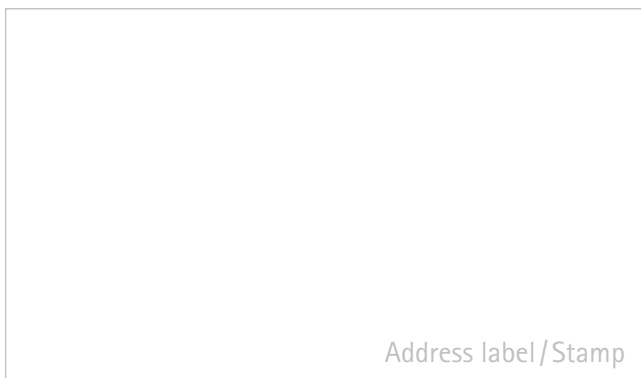
CRAFTster MHS with chain driven trolley FKH, explosion proof up to 20,000 kg



CRAFTster MHS with upper hook, explosion proof up to 20,000 kg



Beam clamp BC up to 5,000 kg



Address label / Stamp



Chain driven trolley FNH up to 20,000 kg



Push trolley FND up to 20,000 kg



Push trolley FND, explosion proof up to 20,000 kg

Look ahead!